



Adjustable Phase Shifter, DC to 12.7 GHz, With an Adjustable Phase of 60 Deg. Per GHz and SMA

Phase Shifters and Trimmers Technical Data Sheet

PE8246

**Electrical Specifications**

Description	Minimum	Typical	Maximum	Units
Frequency Range	DC		12.7	GHz
Impedance		50		Ohms
Phase Adjustment	0		60	Deg/GHz
Input VSWR			1.5:1	
Output VSWR			1.5:1	
Insertion Loss			0.7	dB
Insertion Phase		320		Degrees
Group Delay			170	ps
Input Power, CW			100	Watts
Input Power, Peak			3	kWatts

Electrical Specification Notes:  
Insertion Phase min. setting @ 1.0 GHz

**Mechanical Specifications**

**Size**

Length	6.9 in [175.26 mm]
Width/Diameter	2 in [50.8 mm]
Height	1 in [25.4 mm]
Weight	1.011 lbs [458.58 g]
Finish	GY
Body Material and Plating	Aluminum

**Configuration**

Package Style	Connectorized
Input Connector	SMA Female
Output Connector	SMA Female

**Environmental Specifications**

**Compliance Certifications** (see [product page](#) for current document)

**Plotted and Other Data**

Notes:

Click the following link (or enter part number in "SEARCH" on website) to obtain additional part information including price, inventory and certifications: [Adjustable Phase Shifter, DC to 12.7 GHz, With an Adjustable Phase of 60 Deg. Per GHz and SMA PE8246](#)



Adjustable Phase Shifter, DC to 12.7 GHz, With an Adjustable Phase of 60 Deg. Per GHz and SMA

## Phase Shifters and Trimmers Technical Data Sheet

PE8246

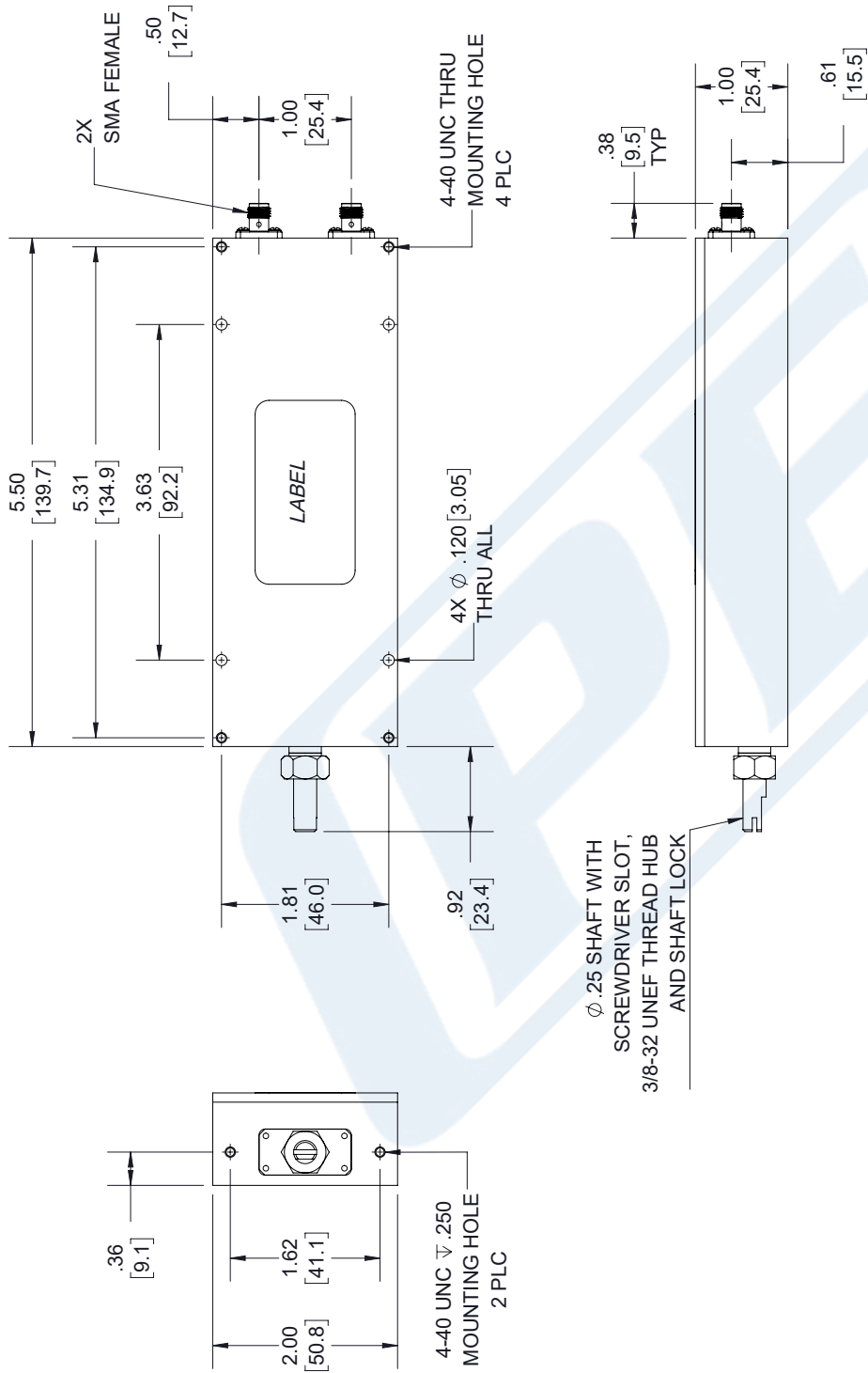
Adjustable Phase Shifter, DC to 12.7 GHz, With an Adjustable Phase of 60 Deg. Per GHz and SMA from Pasternack Enterprises has same day shipment for domestic and International orders. Our RF, microwave and millimeter wave products maintain a 99.4% availability and are part of the broadest selection in the industry.

Click the following link (or enter part number in "SEARCH" on website) to obtain additional part information including price, inventory and certifications: [Adjustable Phase Shifter, DC to 12.7 GHz, With an Adjustable Phase of 60 Deg. Per GHz and SMA PE8246](https://www.pasternack.com/adjustable-phase-shifter-12.7-ghz-60-deg-per-ghz-sma-pe8246-p.aspx)

URL: <https://www.pasternack.com/adjustable-phase-shifter-12.7-ghz-60-deg-per-ghz-sma-pe8246-p.aspx>

# PE8246 CAD Drawing

Adjustable Phase Shifter, DC to 12.7 GHz, With an Adjustable Phase of 60 Deg. Per GHz and SMA

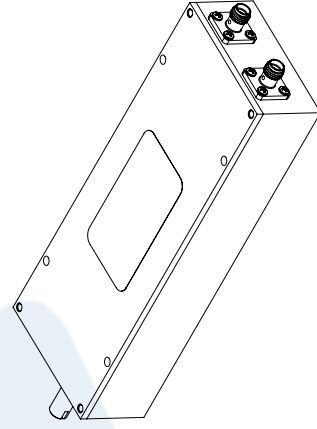


LABEL



STANDARD TOLERANCES
.X ±0.2
.XX ±0.01
.XXX ±0.005

\*STANDARD TOLERANCES APPLY ONLY TO DIMENSIONS IN INCHES



NOTES:  
1. UNLESS OTHERWISE SPECIFIED ALL DIMENSIONS ARE NOMINAL.  
2. ALL SPECIFICATIONS ARE SUBJECT TO CHANGE WITHOUT NOTICE AT ANY TIME  
3. DIMENSIONS ARE IN INCHES [mm].

DWG TITLE  
**PE8246**

**PASTERNAK**  
THE ENGINEER'S RF SOURCE  
Pasternack Enterprises, Inc.  
P.O. Box 16759 | Irvine | CA | 92623

Phone: (949) 261-1920 | Fax: (949) 261-7451  
Website: www.pasternack.com | E-Mail: sales@pasternack.com

CAGE CODE **53919**

CAD FILE 030518

SCALE N/A

SIZE A

7361