



WR-15 Waveguide Horn Antenna Operating From  
56.5 GHz to 67 GHz With a Nominal 34 dBi Gain  
With UG-385/U Round Cover Flange

Specialty Waveguide Antennas Technical Data Sheet

PE9881-34

**Configuration**

Design WR-15 Standard Gain Horn  
Pattern Directional  
Flange UG-385/U Round Cover

**Electrical Specifications**

| Description               | Minimum | Typical | Maximum | Units   |
|---------------------------|---------|---------|---------|---------|
| Frequency Range           | 56.5    |         | 67      | GHz     |
| Nominal Gain              |         | 34      |         | dBi     |
| Horizontal 3dB Beam Width |         | 3.5     |         | Degrees |
| Vertical 3dB Beam Width   |         | 2.5     |         | Degrees |

**Mechanical Specifications**

**Size**

Length 5.54 in [140.72 mm]  
Width 4.09 in [103.89 mm]  
Height 4.09 in [103.89 mm]

**Interface**

Flange Type Round Cover  
Flange Designation UG-385/U

**Environmental Specifications**

**Temperature**

Operating Range 40 to +85 deg C

**Compliance Certifications** (see [product page](#) for current document)

**Plotted and Other Data**

Notes:

Click the following link (or enter part number in "SEARCH" on website) to obtain additional part information including price, inventory and certifications: [WR-15 Waveguide Horn Antenna Operating From 56.5 GHz to 67 GHz With a Nominal 34 dBi Gain With UG-385/U Round Cover Flange PE9881-34](#)



WR-15 Waveguide Horn Antenna Operating From  
56.5 GHz to 67 GHz With a Nominal 34 dBi Gain  
With UG-385/U Round Cover Flange

Specialty Waveguide Antennas Technical Data Sheet

PE9881-34

WR-15 Waveguide Horn Antenna Operating From 56.5 GHz to 67 GHz With a Nominal 34 dBi Gain With UG-385/U Round Cover Flange from Pasternack Enterprises has same day shipment for domestic and International orders. Our RF, microwave and millimeter wave products maintain a 99.4% availability and are part of the broadest selection in the industry.

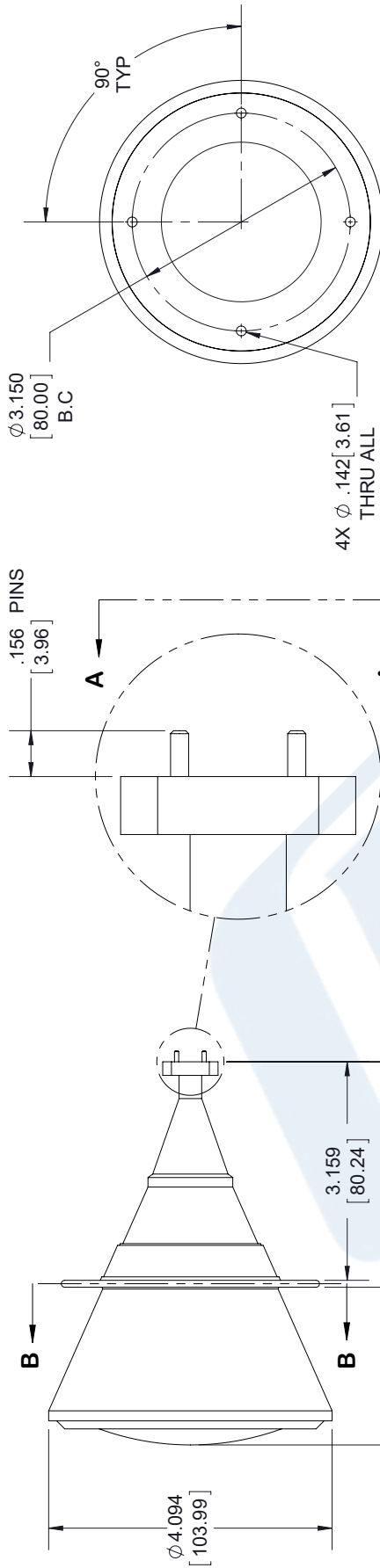
Click the following link (or enter part number in "SEARCH" on website) to obtain additional part information including price, inventory and certifications: [WR-15 Waveguide Horn Antenna Operating From 56.5 GHz to 67 GHz With a Nominal 34 dBi Gain With UG-385/U Round Cover Flange PE9881-34](https://www.pasternack.com/horn-antenna-50-75-ghz-nominal-34-dbi-gain-wr-15-pe9881-34-p.aspx)

URL: <https://www.pasternack.com/horn-antenna-50-75-ghz-nominal-34-dbi-gain-wr-15-pe9881-34-p.aspx>

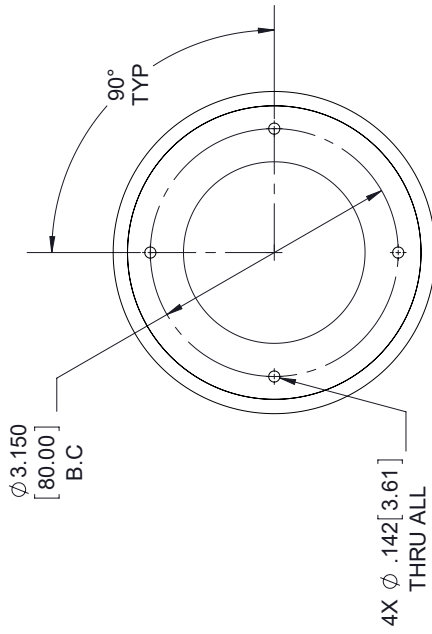
The information contained in this document is accurate to the best of our knowledge and representative of the part described herein. It may be necessary to make modifications to the part and/or the documentation of the part, in order to implement improvements. Pasternack reserves the right to make such changes as required. Unless otherwise stated, all specifications are nominal. Pasternack does not make any representation or warranty regarding the suitability of the part described herein for any particular purpose, and Pasternack does not assume any liability arising out of the use of any part or documentation.

# PE9881-34 CAD Drawing

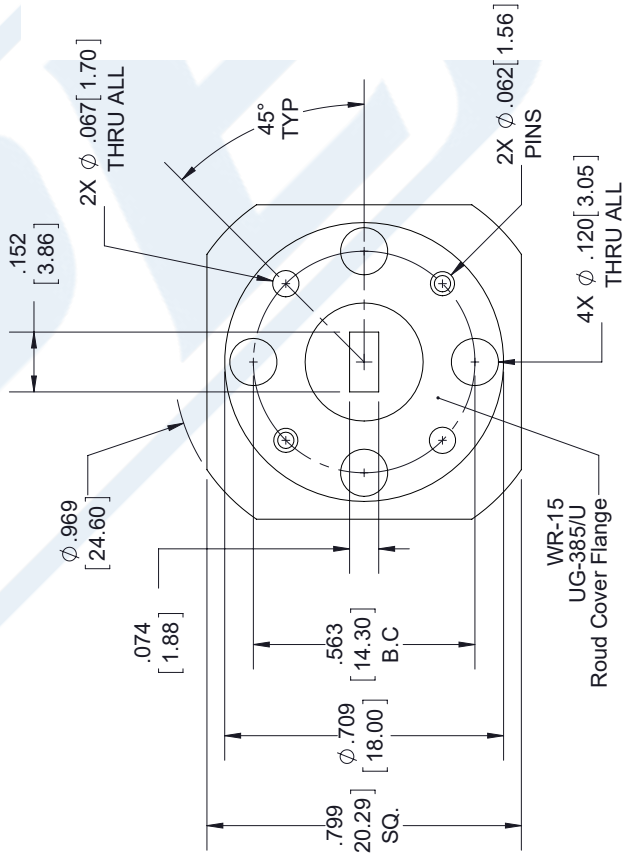
WR-15 Waveguide Horn Antenna Operating From 56.5 GHz to 67 GHz  
With a Nominal 34 dBi Gain With UG-385/U Round Cover Flange



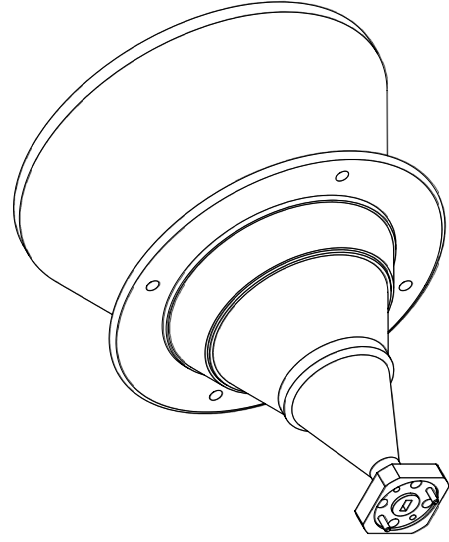
**DETAIL A**



**SECTION B-B**



**VIEW A-A**



| STANDARD TOLERANCES |        |
|---------------------|--------|
| .X                  | ±0.2   |
| .XX                 | ±0.01  |
| .XXX                | ±0.005 |

\*STANDARD TOLERANCES APPLY ONLY TO DIMENSIONS IN INCHES

NOTES:  
1. UNLESS OTHERWISE SPECIFIED ALL DIMENSIONS ARE NOMINAL.  
2. ALL SPECIFICATIONS ARE SUBJECT TO CHANGE WITHOUT NOTICE AT ANY TIME  
3. DIMENSIONS ARE IN INCHES [mm].

|           |           |
|-----------|-----------|
| DWG TITLE | PE9881-34 |
| CAGE CODE | 53919     |
| CAD FILE  | 080817    |
| SCALE     | N/A       |
| SIZE      | A         |
|           | 9999      |

**PE PASTERNAK®**  
THE ENGINEER'S RF SOURCE  
Pasternack Enterprises, Inc.  
P.O. Box 16759 | Irvine | CA | 92623  
Phone: (949) 261-1920 | Fax: (949) 261-7451  
Website: www.pasternack.com | E-Mail: sales@pasternack.com