



Adjustable Phase Shifter, 18 GHz to 40 GHz, With an Adjustable Phase Range of 0 to 360 Degrees and 2.92mm

Phase Shifters and Trimmers Technical Data Sheet

PE82P1000

Features

- Adjustable Phase Shifter
- 18 GHz to 40 GHz Frequency Range
- 0 - 360 Degree Optimized Control Range
- 100 Watts CW Max Input Power
- Insertion Loss 2.5 dB Max

Applications

- Test & Measurement
- Radar Development
- Military Communications Systems
- Tracking Systems
- Direction Finding Systems
- Antenna Test
- Frequency Translation

Description

The PE82P1000 is an Adjustable Phase Shifter with an Optimized Control Range from 0 - 360 Degrees over the Operating Frequency Range of 18 GHz to 40 GHz.

Electrical Specifications

Description	Minimum	Typical	Maximum	Units
Frequency Range	18		40	GHz
Impedance		50		Ohms
Phase Shift	0		360	Degrees
Input VSWR			2:1	
Insertion Loss			2.5	dB
Group Delay			670	ps
Input Power, CW			100	Watts
Input Power, Peak			3	kWatts

Mechanical Specifications

Size

Length	3.75 in [95.25 mm]
Width/Diameter	2 in [50.8 mm]
Height	1 in [25.4 mm]
Weight	0.701 lbs [317.97 g]
Body Material and Plating	Aluminum

Configuration

Package Style	Connectorized
Input Connector	2.92mm Female
Output Connector	2.92mm Female

Click the following link (or enter part number in "SEARCH" on website) to obtain additional part information including price, inventory and certifications: [Adjustable Phase Shifter, 18 GHz to 40 GHz, With an Adjustable Phase Range of 0 to 360 Degrees and 2.92mm PE82P1000](#)



Adjustable Phase Shifter, 18 GHz to 40 GHz, With an Adjustable Phase Range of 0 to 360 Degrees and 2.92mm

Environmental Specifications

Compliance Certifications (see [product page](#) for current document)

Plotted and Other Data

Notes:

Adjustable Phase Shifter, 18 GHz to 40 GHz, With an Adjustable Phase Range of 0 to 360 Degrees and 2.92mm from Pasternack Enterprises has same day shipment for domestic and International orders. Our RF, microwave and millimeter wave products maintain a 99.4% availability and are part of the broadest selection in the industry.

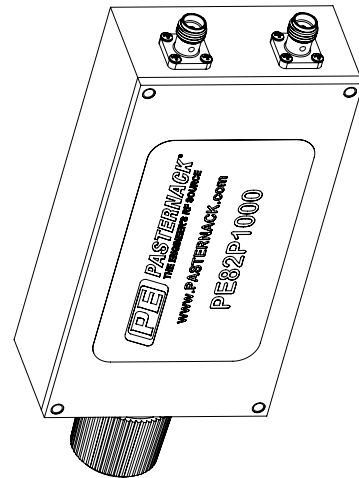
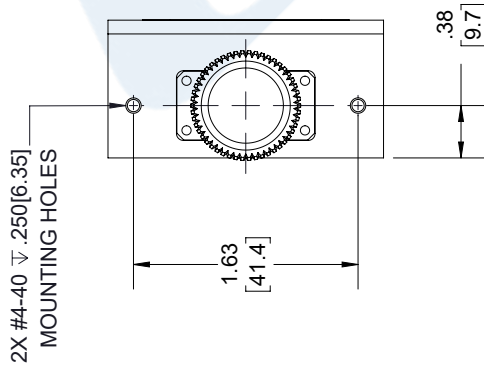
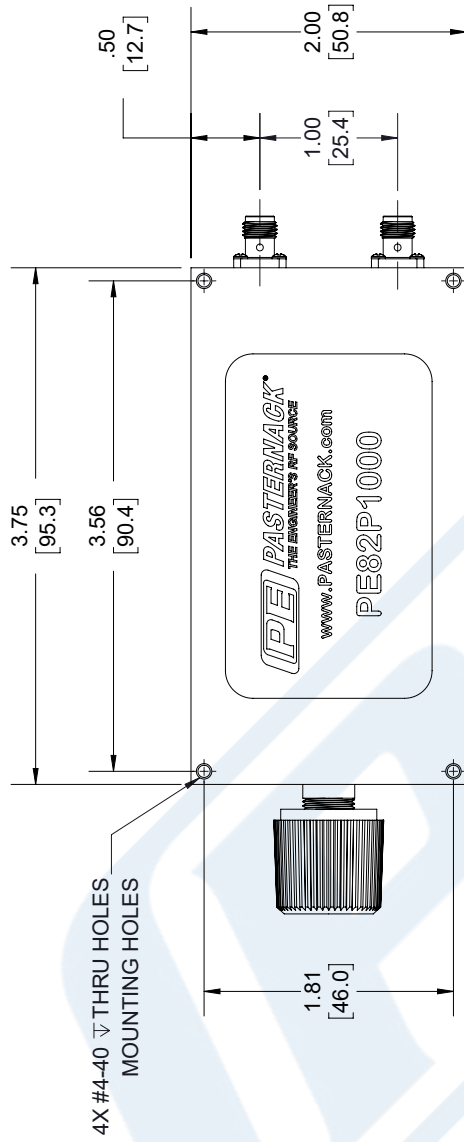
Click the following link (or enter part number in "SEARCH" on website) to obtain additional part information including price, inventory and certifications: [Adjustable Phase Shifter, 18 GHz to 40 GHz, With an Adjustable Phase Range of 0 to 360 Degrees and 2.92mm PE82P1000](#)

URL: <https://www.pasternack.com/adjustable-phase-shifter-40-ghz-2.92mm-30-deg-per-ghz-pe82p1000-p.aspx>

PE82P1000 CAD Drawing

Adjustable Phase Shifter, 18 GHz to 40 GHz, With an Adjustable Phase Range of 0 to 360 Degrees and 2.92mm

REV.	DESCRIPTION	DATE	APPROVED
1.1	PCR FMPH1000 20190517	05/17/19	S. PONG



UNLESS OTHERWISE SPECIFIED
LEADING DIMENSIONS ARE INCHES
DIMENSIONS IN [] ARE MILLIMETERS

TOLERANCES:
X±.2 [5.08] FRACTIONS
XX±.01 [25] ±.132
.XXX±.005 [13] ANGLES ± 1°

ALL DIMENSIONS SHOWN
ARE FOR REFERENCE ONLY.

THIRD-ANGLE PROJECTION

PE PASTERNAK
an INFINITO brand

Pasternack Enterprises, Inc.
P.O. Box 16759, Irvine, CA 92623.
Phone: 1.949.261.1920 | 1.866.727.8376
Fax: 1.949.261.7451
www.pasternack.com | e-mail: sales@pasternack.com

SIZE [CAGE] DRAWN BY PART NUMBER
A 53919 K.DANG PE82P1000

THE INFORMATION AND
DESIGN IN THIS DOCUMENT
IS THE PROPERTY OF
PASTERNAK CORPORATION.
ALL RIGHTS RESERVED.

SHEET 1 OF 1
SCALE N/A

REV 1.1

THESE COMMODITIES, TECHNOLOGY OR SOFTWARE WERE EXPORTED FROM THE UNITED STATES IN ACCORDANCE WITH THE EXPORT ADMINISTRATION REGULATIONS. DIVERSION CONTRARY TO U.S. LAW PROHIBITED.