



Fixed Click Type Torque Wrench With 5/8 Bit For TNC Connectors Pre-set to 14 in-lbs

Torque Wrenches Technical Data Sheet

PE5011-4

Features

- Designed for continual use
- “Clicks” once preset torque value is achieved
- Designed to avoid over torque

Applications

- Lab environments
- Production cable attachment
- Field install and testing
- Applying accurate torque
- Avoiding over torque

Description

PE5011-4 click type torque wrench, designed for TNC connectors, has a 5/8 bit with a preset value of 14 in-lbs. Pasternack's PE5011-XX click type torque wrenches allow accurate mating force when assembling and disassembling a variety of RF coaxial connectors. The unique feature of click type RF wrenches is that once the preset torque value is reached, they will “click” which can be heard and felt, followed by a slight bend at the head, alerting the user to stop applying torque to the connector. Pasternack's click type TNC torque wrenches are in-stock and are also available for a wide variety of other RF connectors, all of which ship the same day.

Configuration

Torque Type	Fixed
Design Type	Click Type
Hex Size	5/8 inch
Torque Setting	14 in-lbs [1.58 Nm]
Torque Accuracy Percentage	±4 %

Size

Length	7.35 in [186.69 mm]
Handle Diameter	0.77 in [19.56 mm]

Weight	0.0375 lbs [17.01 g]
Handle Color	Blue

Compliance Certifications (see [product page](#) for current document)

Notes:

- Do not use on damaged connectors.
- To improve performance of a wrench that hasn't been used recently, actuate the wrench by clicking the wrench head back and forth several times before use. This will spread the lubricant through the internal mechanism.
- Click type tools require smooth consistent application of force. Each torquing action should be completed within 2 seconds. Slower or faster torquing action will detract from accuracy.

Fixed Click Type Torque Wrench With 5/8 Bit For TNC Connectors Pre-set to 14 in-lbs from Pasternack Enterprises has same day shipment for domestic and International orders. Our RF, microwave and millimeter wave products maintain a 99.4% availability and are part of the broadest selection in the industry.

Click the following link (or enter part number in “SEARCH” on website) to obtain additional part information including price, inventory and certifications: [Fixed Click Type Torque Wrench With 5/8 Bit For TNC Connectors Pre-set to 14 in-lbs PE5011-4](#)



Fixed Click Type Torque Wrench With 5/8 Bit
For TNC Connectors Pre-set to 14 in-lbs

Torque Wrenches Technical Data Sheet

PE5011-4

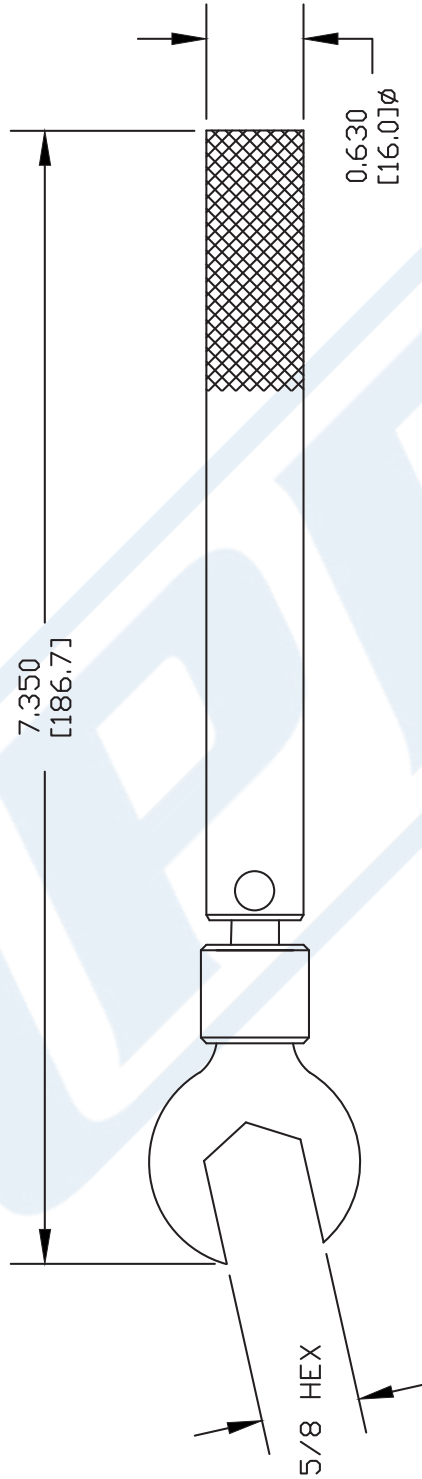
Click the following link (or enter part number in "SEARCH" on website) to obtain additional part information including price, inventory and certifications: [Fixed Click Type Torque Wrench With 5/8 Bit For TNC Connectors Pre-set to 14 in-lbs PE5011-4](https://www.pasternack.com/preset-torque-wrench-5-8-bit-tnc-14in-lbs-pe5011-4-p.aspx)

URL: <https://www.pasternack.com/preset-torque-wrench-5-8-bit-tnc-14in-lbs-pe5011-4-p.aspx>

The information contained in this document is accurate to the best of our knowledge and representative of the part described herein. It may be necessary to make modifications to the part and/or the documentation of the part, in order to implement improvements. Pasternack reserves the right to make such changes as required. Unless otherwise stated, all specifications are nominal. Pasternack does not make any representation or warranty regarding the suitability of the part described herein for any particular purpose, and Pasternack does not assume any liability arising out of the use of any part or documentation.

PE5011-4 CAD Drawing

Fixed Click Type Torque Wrench With 5/8 Bit For TNC Connectors Pre-set to 14 in-lbs



NOTES:
 1. UNLESS OTHERWISE SPECIFIED ALL DIMENSIONS ARE NOMINAL.
 2. ALL SPECIFICATIONS ARE SUBJECT TO CHANGE WITHOUT NOTICE AT ANY TIME.
 3. DIMENSIONS ARE IN INCHES [mm].

DWG TITLE
PE5011-4

FSCM NO. 53919

CAD FILE 100604

SCALE N/A

SIZE A

XXXX



Pasternack Enterprises, Inc.
 P.O. Box 16759 | Irvine | CA | 92623
 Phone: (949) 261-1920 | Fax: (949) 261-7451
 Website: www.pasternack.com | E-Mail: sales@pasternack.com