



1/2 Inch Flexible Prep Tool

TECHNICAL DATA SHEET

PE5201

1/2 Inch Flexible Prep Tool

Configuration

Description	1/2 Inch Flexible Prep Tool
Body Material and Plating	PC-GF20
Length, in [mm]	4.37 [111]
Width, in [mm]	2 [50.8]
Height, in [mm]	1.99 [50.55]

Compliance Certifications (visit www.Pasternack.com for current document)

RoHS Compliant	Yes
----------------	-----

Plotted and Other Data

Notes:	Values at 25 °C, sea level Component Material and Plating; Steel, Nickel Plated Brass, Nickel Plated Steel.
--------	---

1/2 Inch Flexible Prep Tool from Pasternack Enterprises has same day shipment for domestic and International orders. Our RF, microwave and fiber optic products maintain a 99% availability and are part of the broadest selection in the industry.

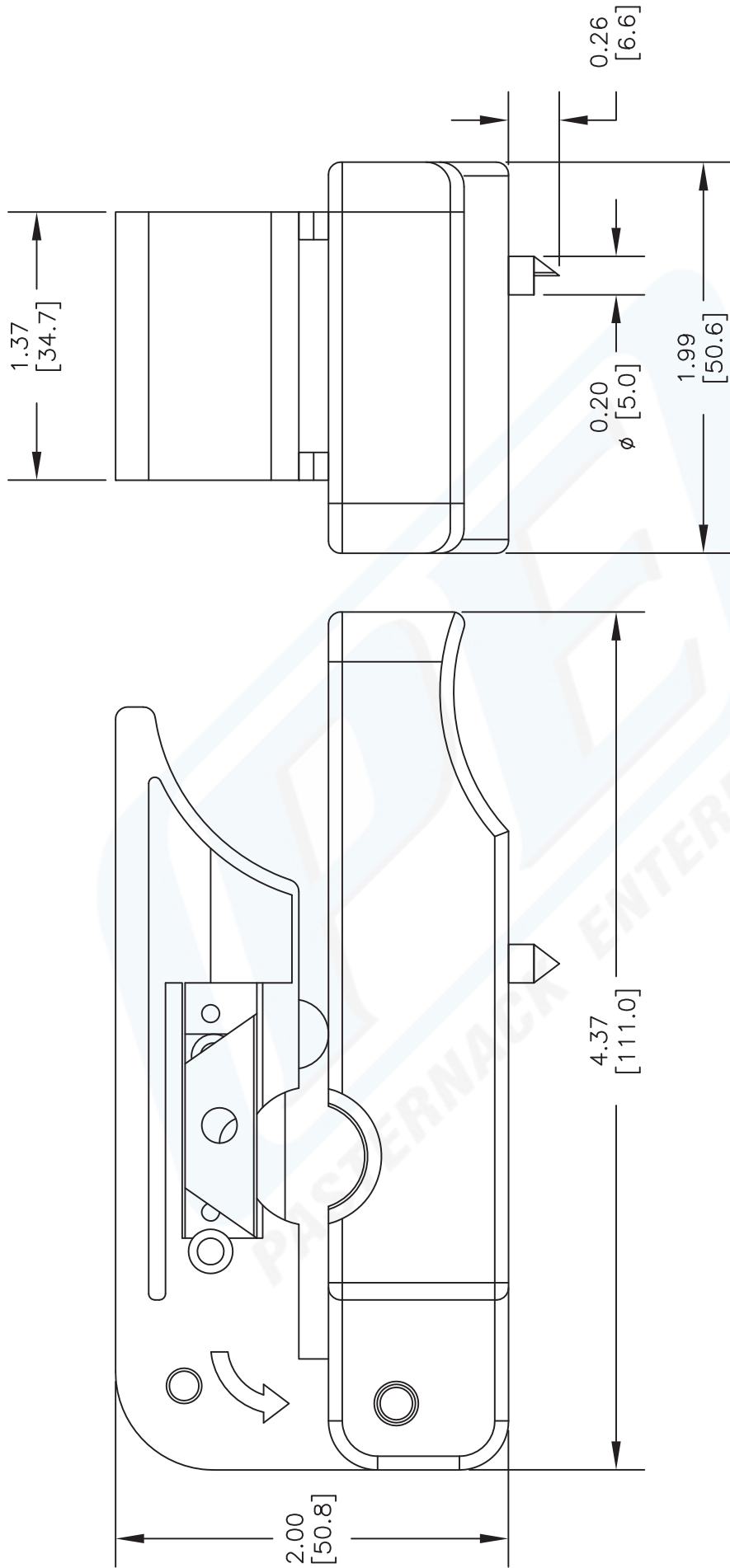
Click the following link (or enter part number in "SEARCH" on website) to obtain additional part information including price, inventory and certifications: [1/2 Inch Flexible Prep Tool PE5201](#)

URL: <http://www.pasternack.com/1-2-inch-flexible-prep-tool-pe5201-p.aspx>

The information contained in this document is accurate to the best of our knowledge and representative of the part described herein. It may be necessary to make modifications to the part and/or the documentation of the part, in order to implement improvements. Pasternack reserves the right to make such changes as required. Unless otherwise stated, all specifications are nominal.

PE5201 CAD Drawing

1/2 Inch Flexible Prep Tool



NOTES:
 1. UNLESS OTHERWISE SPECIFIED ALL DIMENSIONS ARE NOMINAL.
 2. ALL SPECIFICATIONS ARE SUBJECT TO CHANGE WITHOUT NOTICE AT ANY TIME.
 3. DIMENSIONS ARE IN INCHES [mm].

DWG TITLE

PE5201

REV. -

FSCM NO. 53919

CAD FILE 041312

SCALE N/A

SIZE A

2233

PASTERNAK ENTERPRISES, INC.

P.O. BOX 16759, IRVINE, CA 92623

PHONE (949) 261-1920 FAX (949) 261-7451

WEB ADDRESS: www.pasternack.com

E-MAIL ADDRESS: sales@pasternack.com

COAXIAL & FIBER OPTICS

